

500Kg

Shell: Light aluminum alloy shell shall be adopted which is light but hard and fit for the use in the terrible work environment with a high heat dissipation rate and all lightness design.

Inverse phase sequence protecting device: It is the special electrical installation which control the circuit not to work in case of wiring error in the power supply.

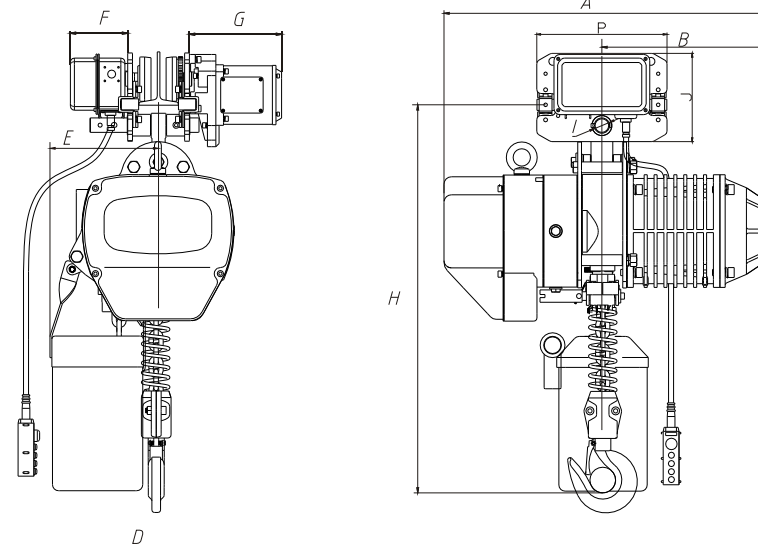
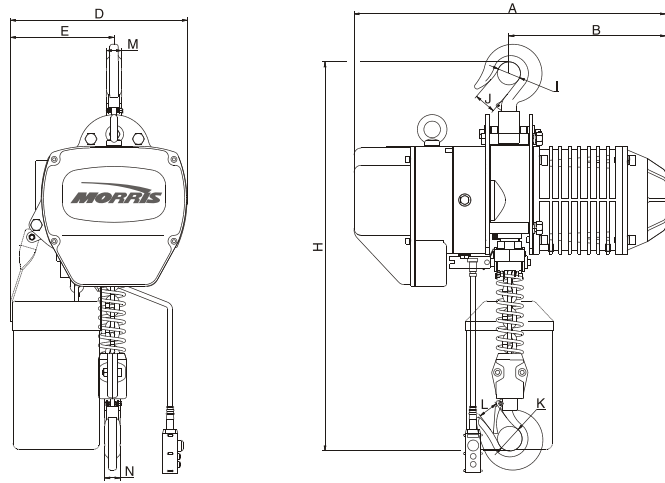
Limit switch: The limit switch device is installed where the weight is lifted on and off to make the motor to stop automatically so as to prohibit the chains from exceeding for safety.

24V/36V device: It is used to prohibit the emergencies from occurring in case of the leakage in the switch.

Side magnetic braking device: This device shall realize the instant brake in case of the power dump.

Chain bag: It shall be light, handsome and durable.

Chain: The chain shall adopt the imported FEC80 ultra heat-treatable Alloy steel chain.



Hoist with the Hook

Technical Parameters

Type	Capacity (Ton)	Lifting Speed (m/min)	Lifting motor					Operating motor					I-Beam (mm)	
			Power (Kw)	Rotation speed (r/min)	Phases	Voltage (V)	Frequency (Hz/s)	Power (Kw)	Rotation speed (r/min)	Operating speed (m/min)	Phases	Voltage (V)		Frequency (Hz/s)
0.5-01S	1	7.2	0.75	1440	3	380	50	\	\	\	\	\	\	\
0.5-01D	1	7.2/2.4	0.75/0.27	1440	3	380	50	\	\	\	\	\	\	\

Size specification

Type	capacity (Ton)	Unit (mm)											
		H	A	B	D	E	I	J	K	L	M	N	Chain
0.5-01S	1	530	460	230	288	178	c 34	28	c 34	28	19	19	c 6.3
0.5-01D	1	530	545	260	288	178	c 34	28	c 34	28	19	19	c 6.3

Hoist with Electric Trolley

Technical Parameters

Type	Capacity (Ton)	Lifting Speed (m/min)	Lifting motor					Operating motor					I-Beam (mm)	
			Power (Kw)	Rotation speed (r/min)	Phases	Voltage (V)	Frequency (Hz/s)	Power (Kw)	Rotation speed (r/min)	Operating speed (m/min)	Phases	Voltage (V)		Frequency (Hz/s)
0.5-01S	1	7.2	0.75	1440	3	380	50	0.4	1440	11/21	3	380	50	58-153
0.5-01D	1	7.2/2.4	0.75/0.27	1440	3	380	50	0.4	1440	11/21	3	380	50	82-178

Size specification

Type	capacity (Ton)	Unit (mm)											
		H	A	B	D	E	P	J	I	F	G	Chain	
0.5-01S	1	628	460	230	288	178	315	212	c 31	142	231	c 6.3	
0.5-01D	1	628	545	260	288	178	315	212	c 31	142	231	c 6.3	